

Spire

I-STANDS - Xi-STANDS



Patented IsoAcoustics® isolation technology effectively eliminates energy transfer from speakers to surrounding surfaces, allowing speakers to “float” in free space for authentic, uncolored sound.

IsoAcoustics equipped Spire i-stands are available in 36” and 42” heights and in two sizes for standard near-field and mid-field speaker configurations.

I-stands, Xi-stands feature isolator tilt and concealed cable management.

1/4” and 5/8” riser extenders are included to enable up or down speaker angle adjustment of up to 6.5°.

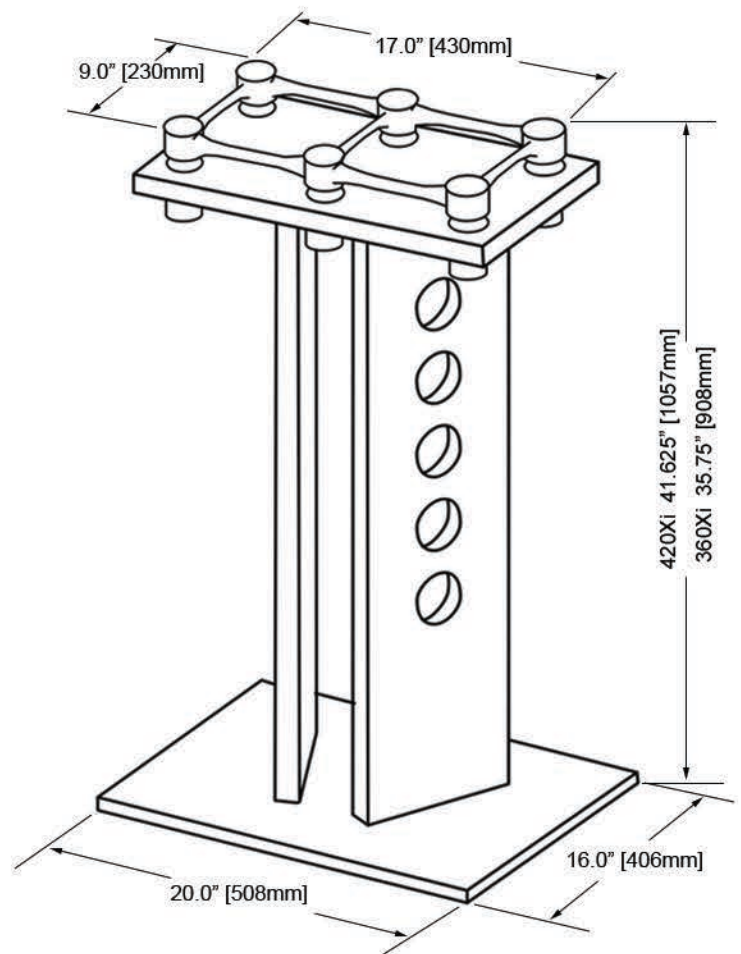
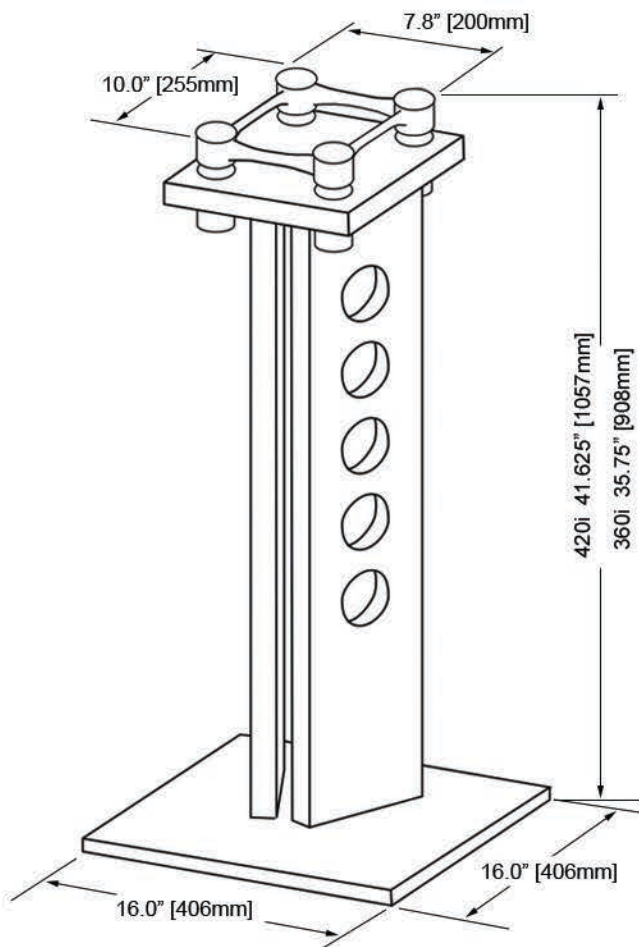
I-Stand: speaker weight capacity 75 lb

Xi-Stand: speaker weight capacity 100 lb



I-Stand
420i-B (shown)
360i-B

Xi-Stand
420Xi-B (shown)
360Xi-B



i up to 75 lb. effective capacity inserts provide up to 6.5 degrees of tilt upward or downward

Xi up to 100 lb. effective capacity inserts provide up to 6.5 degrees of tilt upward or downward