



PULL OUT KEYBOARD TRAY

OPTIONAL ACCESSORIES



H-KTRY

HALO pull out keyboard tray allows under-desk mount of qwerty keyboard and controller devices.

Low profile tray has minimum 2.0" (51mm) impact on knee room.

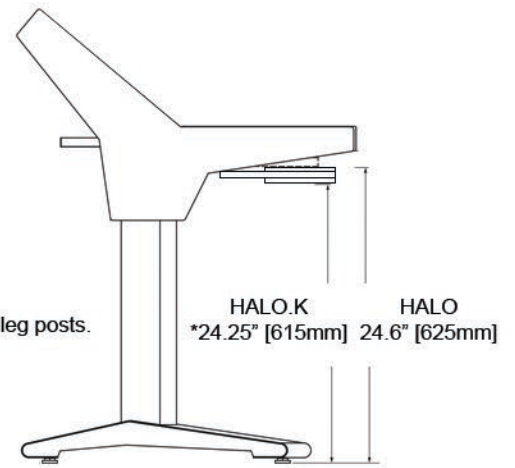
Full extension ball bearing glides provide smooth operation of powder coated steel tray.

Internal tray area dimensions: 22.75" (577mm) wide, 9.825" (250mm) front to back, 2.25" (57mm) depth. Adjustable to 2.75" (70mm) depth.

External dimensions: 26.1" (663mm) overall width, 14.2" (360mm) overall front to back, 2.0" (51mm) depth. Adjustable to 2.5" (64mm) overall depth.

HALO pull out keyboard tray can support up to 20 lb.

*With riser brackets installed on leg posts.



Distance between floor and bottom of tray.

