



HGE-CS-S sit-stand model

Fits HALO.GE

HALO CPU bracket supports central processor unit on board and off floor.

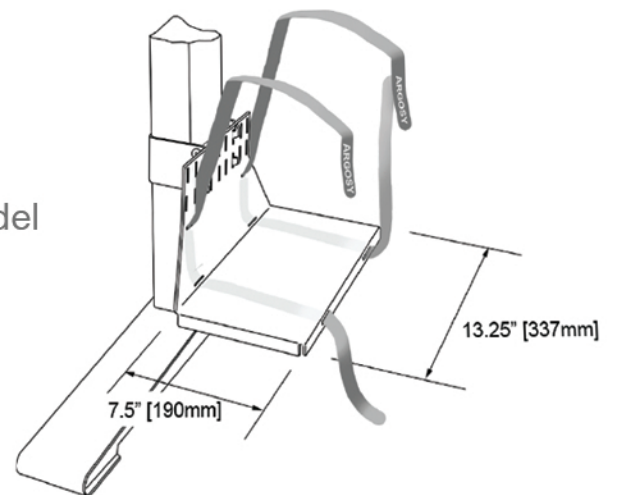
Adjustable CPU bracket holds cases up to 35 lb.

(2) 60" (152cm) straps secure CPU to shelf.

H model: Fixed height CPU bracket clamps to either leg and will hold cases up to 19.3" (49cm) height.

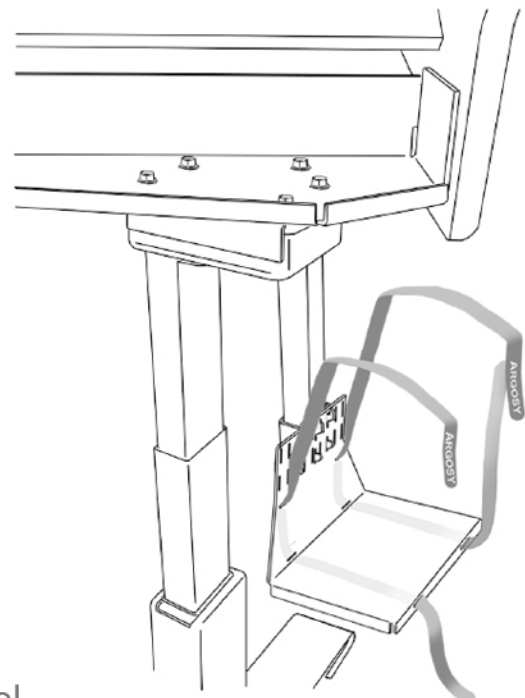
E model: Sit-stand CPU bracket installs to underside of rack and will hold cases up to 18.0" (46cm) height.

G model: Sit-stand CPU shelf installs to underside of desk and will hold cases up to 18.0" (46cm) height.



HE-CS-S sit-stand model

Fits HALO.E



H-CS-S fixed height model

Fits standard HALO and HALO.G