

ECLIPSE

SPEAKER MOUNTS

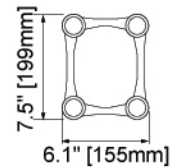
OPTIONAL ACCESSORIES



SPME-AP160-11-B (shown)
 SPME-AP200-11-B
 SPME-AP300-11-B

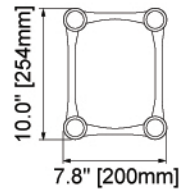


Patented IsoAcoustics® isolation technology effectively eliminates energy transfer from speakers to surrounding surfaces, allowing speakers to “float” in free space for authentic, uncolored sound. Aperta equipped speaker mounts are available for Eclipse in three sizes. Select the size and weight configuration that best matches your speaker.



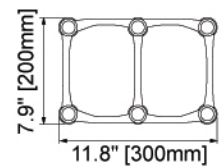
40 lb. maximum weight

SPME-AP160-11-B Aperta 160



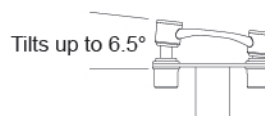
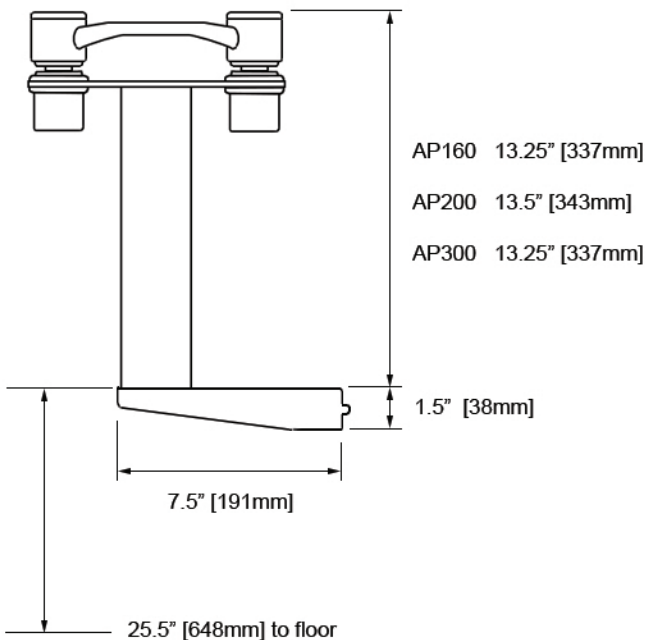
75 lb. maximum weight

SPME-AP200-11-B Aperta 200



60 lb. maximum weight

SPME-AP300-11-B Aperta 300



Up to 6.5° tilt with 360° rotation allows precise focus to equilateral triangle listening position